

# HC6-75, HC6-85, HC6-100

Operating instructions

操作说明

Anweisungen

Des instructions

Инструкции

AC contactor

交流接触器

AC-Schütz

Contacteur CA

контактор переменного тока



**Danger of electric shock!** Only professional and professionally trained personnel and allowed to carry out the following work.

**触电危险!** 只允许专业人员和受过专业训练的人员进行下列工作。

**Stromschlaggefahr!** Die folgenden Arbeiten dürfen nur von fachkundigem und fachlich geschultem Personal durchgeführt werden.

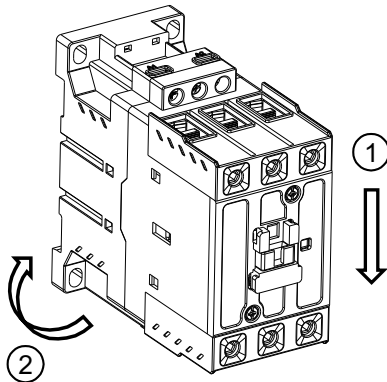


**Danger d'électrocution!** Seul le personnel professionnel et professionnellement formé est autorisé à effectuer les travaux suivants.

**Опасность поражения электрическим током!** К выполнению следующих работ допускается только профессиональный и профессионально обученный персонал.

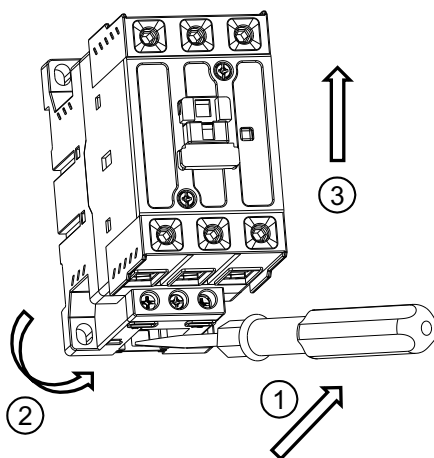
## Assembly

安装



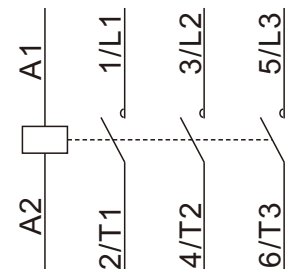
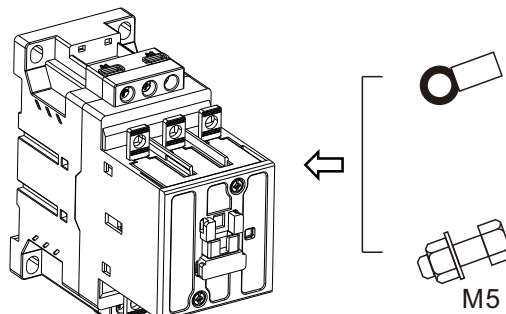
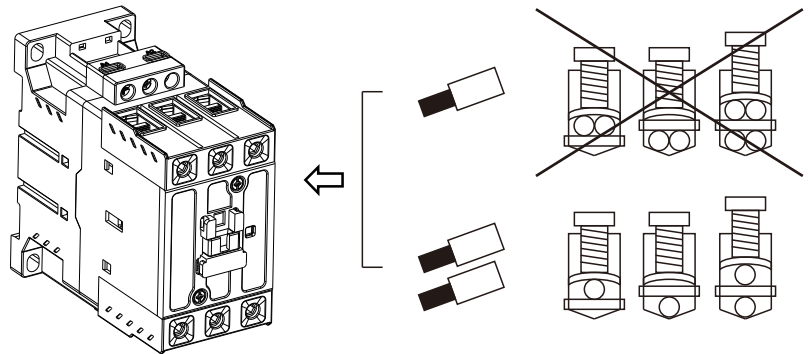
## Disassembly

拆卸



## Connection type

接线方式



ZHEJIANG HECHENG SMART ELECTRIC CO.,LTD.

No.1125,Zhixing Road,Qiaonan Development Zone,  
Xiaoshan Economic and Technological Development Zone,  
Hangzhou Zhejiang China

<https://www.hecheng-electric.com>  
Email:sales@hecheng-electric.com

**HECHENG**  
Electric

# HC6-75, HC6-85, HC6-100

## Product certificate

产品合格证

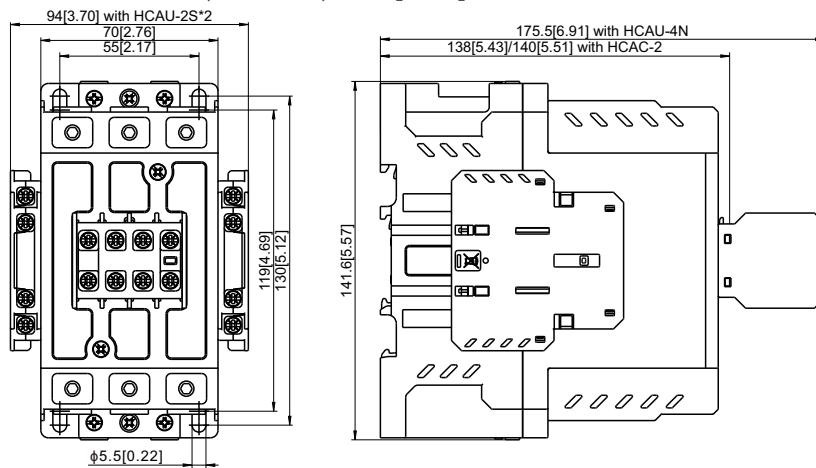
The product after inspection, approved to leave the factory.

产品经检验合格后, 批准出厂

|      |                           |                           |                           |                           |                           |                           |              |             |            |            |
|------|---------------------------|---------------------------|---------------------------|---------------------------|---------------------------|---------------------------|--------------|-------------|------------|------------|
| Type |                           |                           |                           |                           |                           |                           |              |             |            |            |
|      | 1...35<br>mm <sup>2</sup> | 1...25<br>mm <sup>2</sup> | 1...35<br>mm <sup>2</sup> | 1...25<br>mm <sup>2</sup> | 1...35<br>mm <sup>2</sup> | 1...25<br>mm <sup>2</sup> | /            | /           | M=φ6<br>mm | N=φ9<br>mm |
|      |                           | AWG 16-2<br>a=13mm        |                           |                           | 6N.m<br>53.1lb.in         |                           |              |             |            |            |
|      | 1...4<br>mm <sup>2</sup>  | 1...4<br>mm <sup>2</sup>  | 1...4<br>mm <sup>2</sup>  | 1...4<br>mm <sup>2</sup>  | 1...4<br>mm <sup>2</sup>  | 1...4<br>mm <sup>2</sup>  | l=3.6<br>mm  | L=7.5<br>mm | /          |            |
|      |                           | AWG 18-14<br>a=11mm       |                           |                           | 1.2N·m<br>11lb.in         |                           |              |             | /          |            |
|      |                           |                           |                           |                           |                           |                           | Pozidriv N°2 |             | φ6         |            |

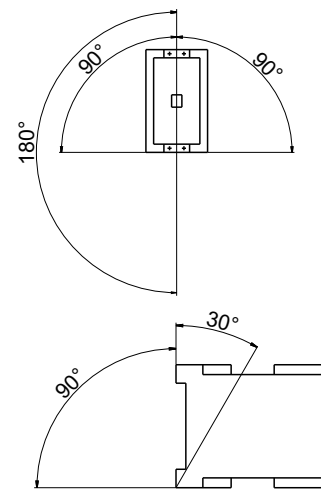
### Outline and Installation Dimensions(AC Coil) mm[inch]

外形及安装尺寸(交流线圈) 毫米[英寸]



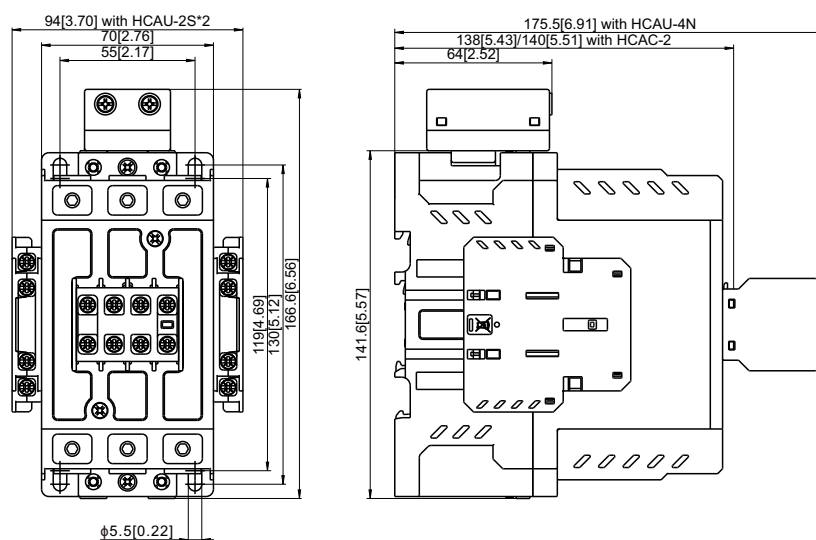
### Installation Position

安装位置



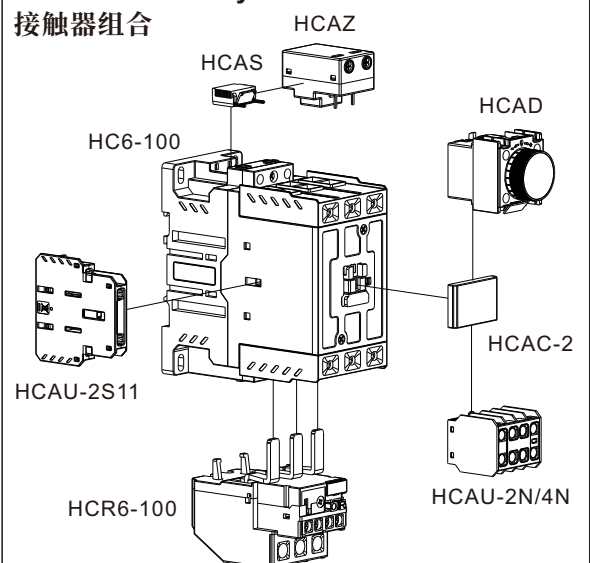
### Outline and Installation Dimensions(DC Coil) mm[inch]

外形及安装尺寸(直流线圈) 毫米[英寸]



### Contactors Family

接触器组合



ZHEJIANG HECHENG SMART ELECTRIC CO.,LTD.

No.1125,Zhixing Road,Qiaonan Development Zone,  
Xiaoshan Economic and Technological Development Zone,  
Hangzhou Zhejiang China

<https://www.hecheng-electric.com>  
Email:sales@hecheng-electric.com

**HECHENG**  
Electric