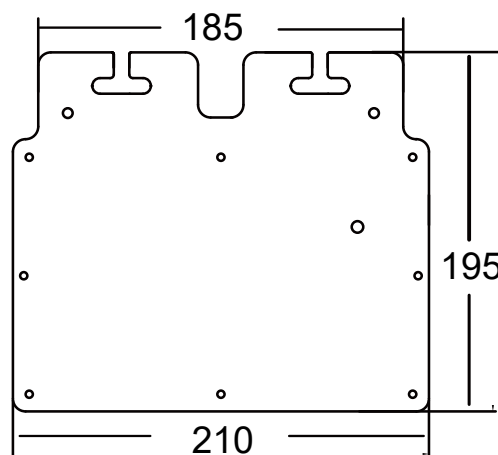
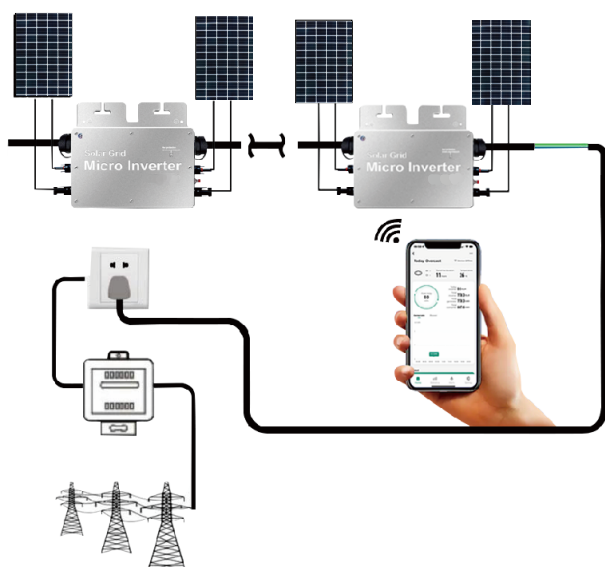
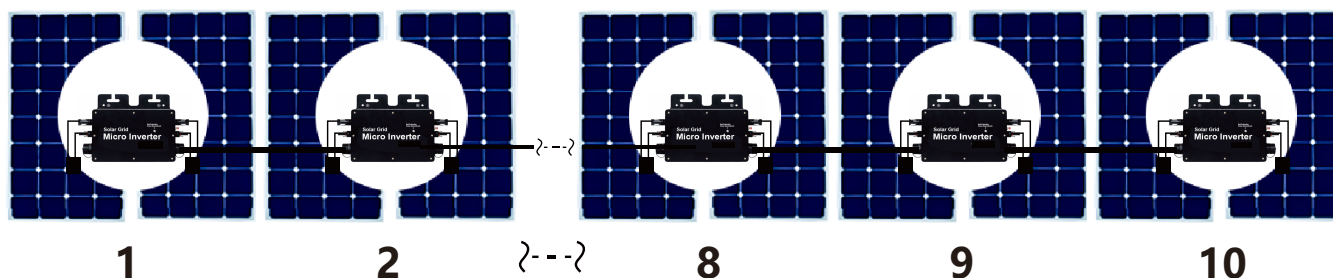


HCMI-600

- ◆ Single unit connects up to two PV modules
- ◆ Maximum 600W AC output power
- ◆ Single phase output, Flexible 3-phase PV system
- ◆ WIFI communication and cloud monitoring
- ◆ Up to 10 units(230V) per branch
- ◆ Customizable various input (DV PV) voltage range
- ◆ Integrated AC bus cable, Ready-To-Use
- ◆ Low cost, Easy installation



Single phase connection method of micro inverter



- 1.HCMI600 @Single-Phase 230V grid Maximum 10 units HCMI600 Microinverters per branch.
- 2.The max DC input power of each inverter is 600W(the PV module max output power is 2x300W)
3. The VOC of PV modules should not be greater than the max DC input voltage of Microinverters.

Technical Specifications

| Model | HCMI-600 |
|-------------------------------------|--|
| Input Data (DC, PV) | |
| Number of Input MC4 Connector | 2 sets |
| MPPT Voltage Range | 22V-48V |
| Operation Voltage Range | 20-50V |
| Maximum Input Voltage | 52V |
| Startup Voltage | 22V |
| Maximum input power | 600W |
| Maximum input Current | 12A*2 |
| Output Data(AC) | |
| Single-Phase Grid Type | 120V&230V |
| Rated Output Power | 600VA |
| Maximum Output Power | 600VA |
| Nominal Output Current | @120VAC:5A/@230VAC:2.6A |
| Nominal Output Voltage | 120VAC /230VAC |
| Default Output Voltage Range | @120VAC:80V-160V /@230VAC:180V-270V |
| Nominal Output Frequency | 50Hz / 60Hz |
| Default Output Frequency Range | @50Hz:48Hz-51Hz/@60Hz:58Hz-61Hz |
| Power Factor | >99% |
| Total Harmonic Distortion | THD <5% |
| Maximum Units per Branch | @120VAC:5units /@230VAC: 10units |
| Efficiency | |
| Nominal MPPT Efficiency | 99.5% |
| Peak Efficiency | 95% |
| Night Power Consumption | <1W |
| Mechanical Data | |
| Operating Ambient Temperature Range | -40°C to +65°C |
| Storage Temperature Range | -40°C to +85°C |
| Dimensions (L × W × H) | 210mmx195mm x 35mm |
| Weight | 2.45kg |
| Max Current of AC Bus Cable | 20A |
| Waterproof rating | IP65 |
| Cooling Mode | Natural Convection- No Fans |
| Other Features | |
| Communication | WIFI(Cloud monitoring) |
| Power transmission mode | Reverse transfer, load priority |
| Monitoring System | Mobile APP, PC browser |
| Transformer Design | High Frequency Transformers,Galvanically Isolated |
| Integrated Ground | Equipment ground is provided by the PE in the AC cable. No additional ground is required. |
| Protection Functions | Isolated Island Protection,Voltage Protection, Frequency Protection, Temperature Protection,Current Protection, etc. |
| Design Compliance | EN IEC61000-3-2:2019+A1:2021, EN 61000-3-3:2013+A1:2019+A2:2021, EN IEC55014-2:2021,EN IEC55014-2:2021 |
| Certificate | CE |